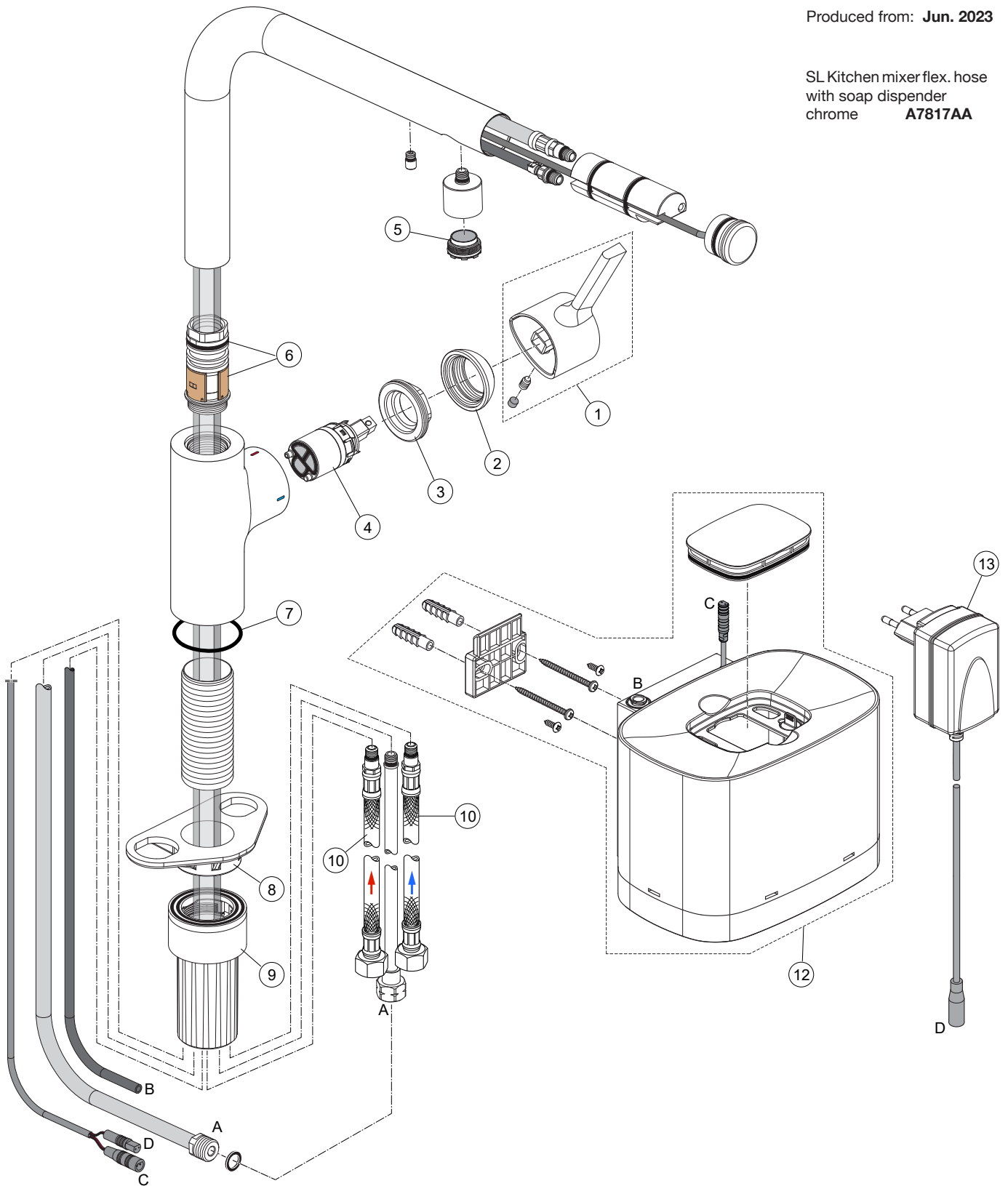


SL Kitchen mixer flex. hose
with soap dispenser
chrome **A7817AA**



Replace XX with the appropriate finish code

Chrome = AA Silver Storm = GN Gold = A2 Magnetic Grey = A5 Matt Black PVD= J3 Sunset Rose= J4

Example spare part order:

B 961 813 AA in Chrome

Pos.	Description	Part-Number	Qty.	Pos.	Description	Part-Number	Qty.
1	Handle cpl.	B 961 813 XX	1 Set	9	Connector Easy-fix	B 961 807 NU	1 pcs
2	Cover cap	B 961 815 XX	1 pcs	10	Flex. hose M8x1-G3/8-500	A 860 162 NU	2 pcs
3	Thread ring M41x1,5/M33x1,5	B 961 814 NU	1 pcs	12	Soap pump	A 861 677 NU	1 Set
4	Cartridge Ø28mm	A 861 397 NU	1 pcs	13	AC-Adapter 6,5V DC / 0,92A	F 961 033 NU	1 pcs
5	Aerator M21,5x1	B 960 366 NU	1 pcs		Extension cable 2m	A 960 635 NU	1 pcs
6	Sealing set	B 961 582 NU*	1 Set				
7	O - Ring Ø 36,2 x 2,62	A 962 575 NU	1 pcs				
8	Stabilization plate	A 962 328 NU	1 pcs				

*Universal set (not all parts needed)